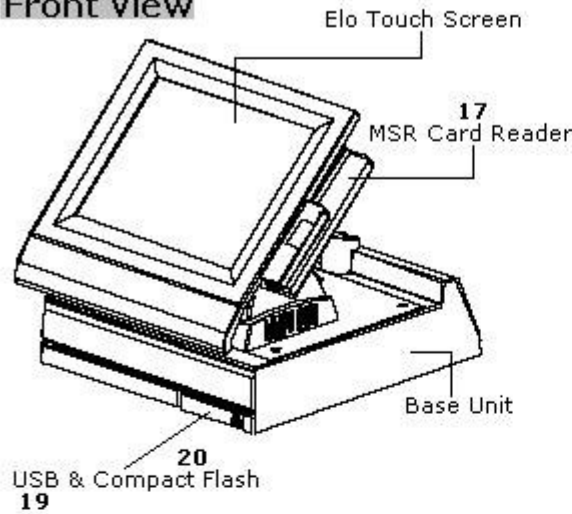


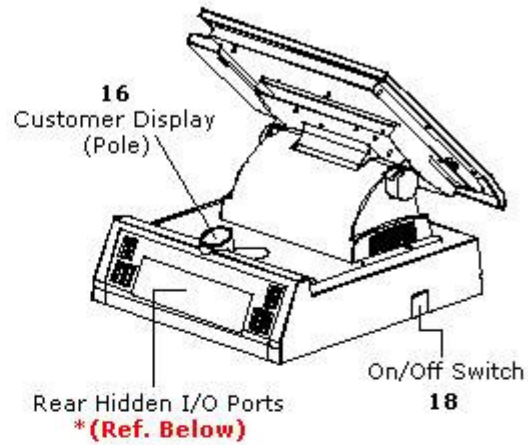


E-Touch Integrated Connection Points

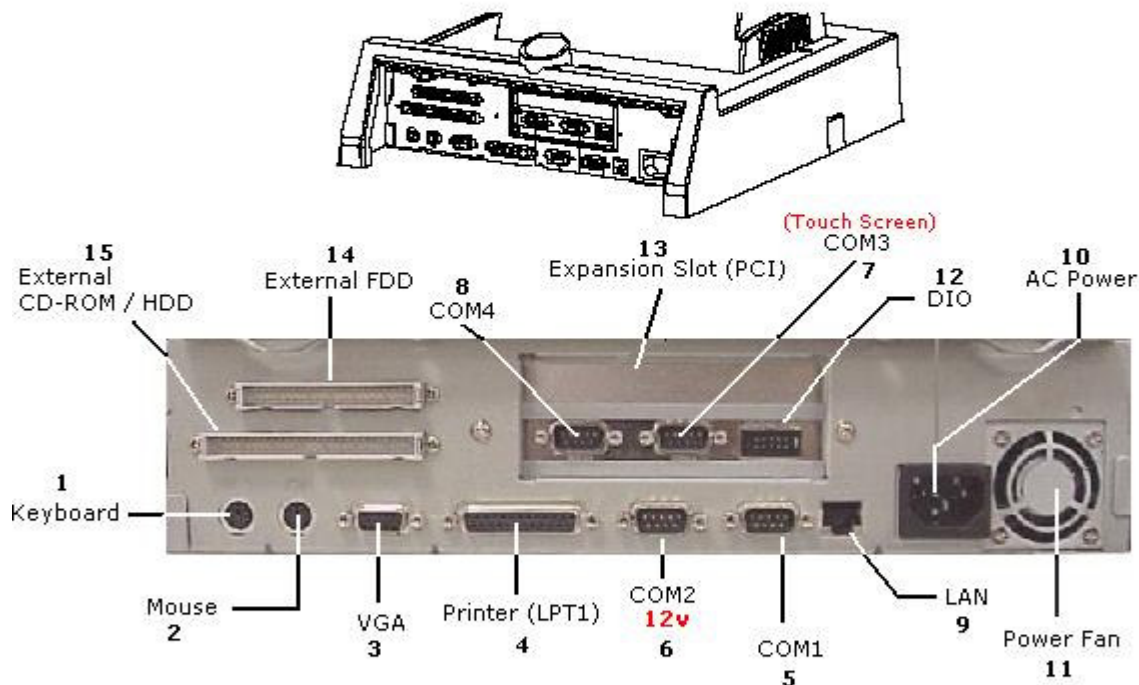
Front View



Rear View



Rear Hidden I/O Ports Connection Points



1	Connect PS/2 Keyboard	12	Digital Input Output for Cash Drawer
2	Connect PS/2 Mouse	13	Additional PCI Card Slot
3	Not in Use	14	Connect FDD using Cable Supplied with System
4	Connect any Parallel Interface Printer	15	Connect Normal IDE CD Drive / HDD using Cable Supplied
5	Connect Serial Interface Printer, Scanner, Serial Cash Drawer, etc.		

6	Connect Port Powered Customer Display	16	Connect Pole Display (Optional)
7	Not In Use (Port in Use by Touch Screen).	17	MSR Card Reader (Optional)
8	Connect Serial Interface Printer, Scanner, Serial Cash Drawer, etc.	18	System On / Off Switch
9	Connect RJ 45 Network Connection.	19	Connect USB Device eg. MSR, K/B, etc
10	Connect Power Cord	20	Connect Compact Flash Cards (Storage)